

AY- / AYU- HR SERIES

ALUMINIUM ELECTROLYTIC CAPACITORS HIGH RIPPLE CURRENT

Series	Capacitance range	Voltage range	Temperature range	Case Φ x H	Applications
AY-HR AYU-HR	1000-100000	16 - 500	-40 °C , +85°C	51 x 105 90 x 222	High ripple current High reliability Long life

MECHANICAL OUTLINES:

CASE: aluminium made

TERMINALS: screw

SEALING: hermetic by beading on an EPR gasket, housed on a resin cover

PRESSURE RELEASE VENT: made in silicone-rubber

SLEEVE: self-extinguishing thermoshrinkable sleeve

SIZE: see enclosed drawings

MOUNTING HARDWARE: see hardware section

SPECIFICATIONS	TEMPERATURE RANGE	CAPACITANCE
CECC 30300 IEC 384-4 ("long life grade") MIL C62D DIN 41240 / DIN 45910	Operating: -40 °C/ +85 °C Climatic Category : 40/85/56	Tolerance shall be within the following limits: <ul style="list-style-type: none"> • standard tolerance -10% +30% • or available on request - 20% + 20%

LEAKAGE CURRENT:

After the rated voltage has been applied to the capacitor for 5 minutes the leakage current must be:

Maximum limit	at 25 °C	$I_f \leq 0,004 * C * V$
Operating limit	at 25 °C:	$I_f \leq 0,001 * C * V$

where I_f = leakage current (μ A)

C = capacitance (μ F)

V = rated voltage (V)

IMPORTANT

- When using high-capacitance and high-voltage electrolytic capacitors it is important to remember that the inner part (the rolled section) is not insulated from can: between the negative pole and the aluminium can there is a variable and not defined resistance essentially due to the electrolyte used in capacitor manufacture.

SURGE VOLTAGE

Working Voltage	16	25	40	50	63	75	100	160	200	250	350	400	420	450	500
Surge Voltage	18	29	46	58	73	86	115	185	230	290	385	440	460	495	525

RIPPLE CURRENT:

the allowable values of ripple current in amperes, are related to temperature and frequency by the formula:

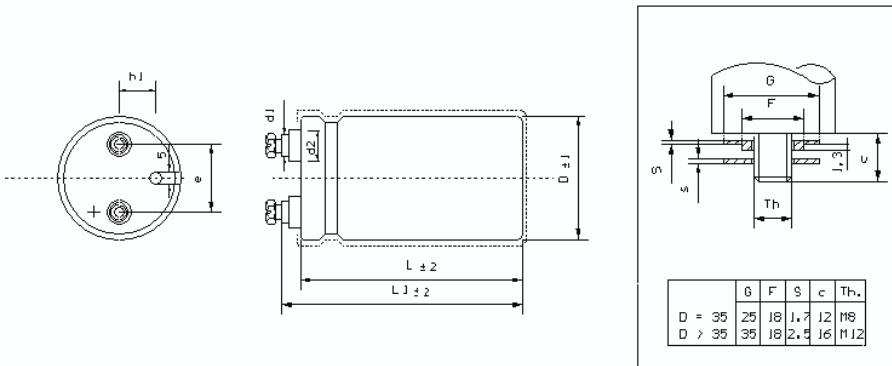
$$I_{rip} = K_t * K_f * I_{r85}$$

where I_{r85} is the limit given by tables, referred to a temperature of 85 °C and to a frequency of 100 HZ and K_t or K_f are values here below tabulated:

°C	40	55	65	75	80	85
K_t	1.65	1.5	1.4	1.2	1.1	1.0

V_n Hz	Kf			
	50<V=300		V>300	
	Code Diameter A,B		Code Diameter C,D	
50	0.79	0.76	0.78	0.72
100	1	1	1	1
120	1.04	1.04	1.02	1.03
200	1.12	1.17	1.06	1.14
300	1.16	1.28	1.08	1.24
400	1.20	1.35	1.09	1.29
500	1.22	1.39	1.09	1.32
>1000	1.25	1.45	1.09	1.37

Note : Ripple current is function of the capacitance tolerance.
DIMENSIONS

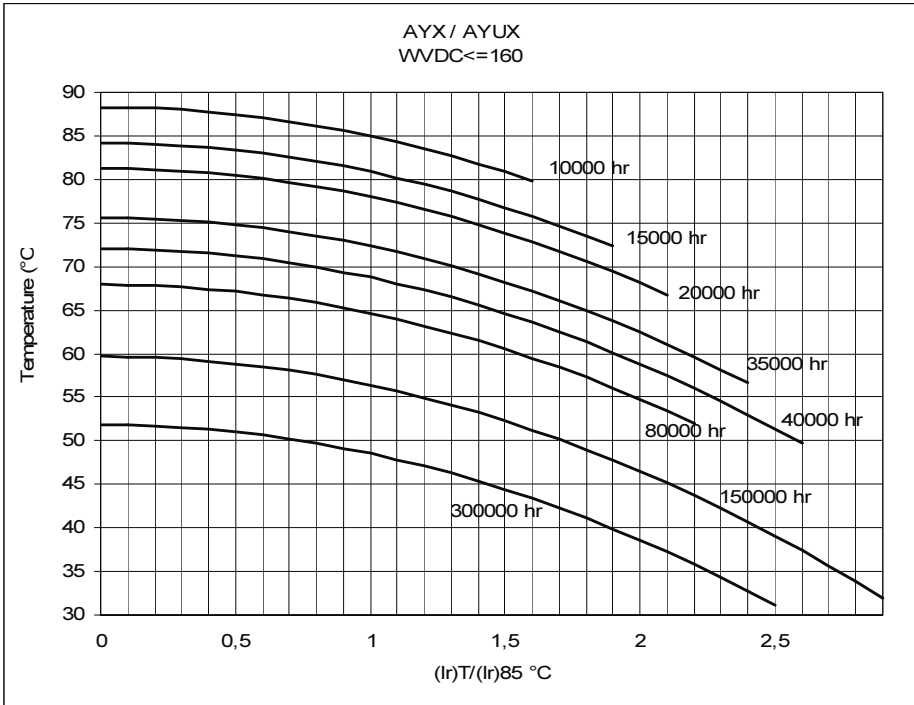


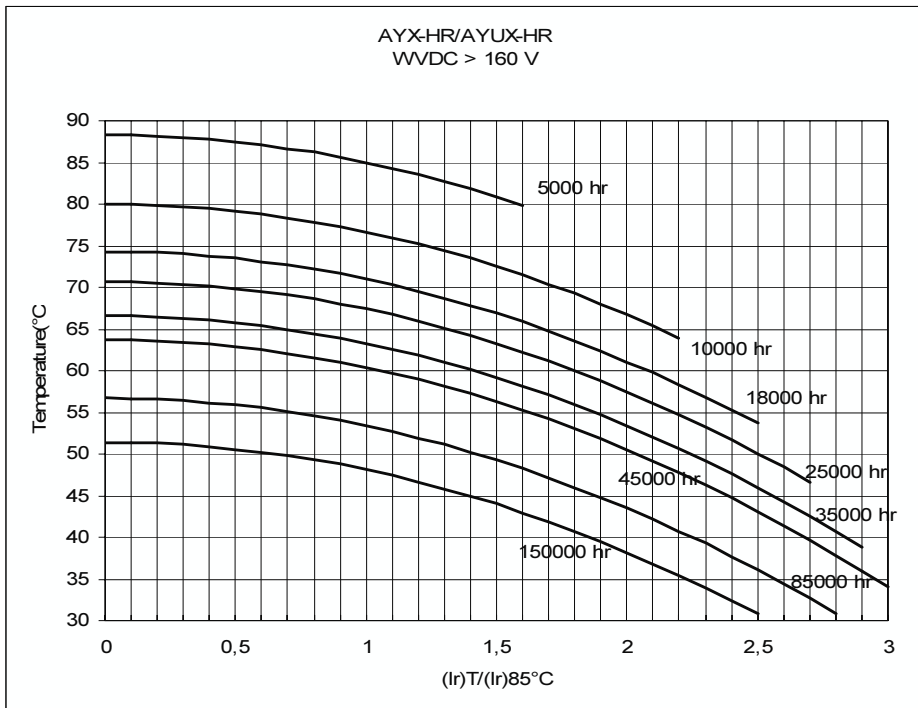
Insert Screw Thread (D= 51, 63, 76) = M5	Insert Screw Thread (D= 90) = M6
Insert Screw Length = 10 mm.	Insert Screw Torque Max (M5) = 2 Nm.
Insert Screw Torque Max. (M6) = 2,5 Nm.	Screw Torque For Hex Nuts M12 = 10 Nm.

CASE CODE	Φ X L (mm)	l1	d1 +,-0.5	d2 +,-0.5	h1	e	CASE CODE	Φ X L (mm)	l1	d1 +,-0.5	d2 +,-0.5	h1	e
BC	51 x 105	109	13	18	13	22.2	EC	90 x 108	112	17	23	19	31.8
CC	63 x 107	111	13	18	16	28.6	EF	90 x 148	153	17	23	19	31.8
DC	76 x 107	111	13	18	19	31.8	EJ	90 x 222	227	17	23	19	31.8
DF	76 x 147	151	13	18	19	31.8							
DK	76 x 168	173	13	18	19	31.8							
DJ	76 x 217	222	13	18	19	31.8							

STANDARD MOUNTING STUD HARDWARE _ INSULATING PLASTIC WASHERS AND METALLIC NUT
 _ PLASTIC NUTS ON REQUEST.

EXPECTED LIFE AS A FUNCTION OF TEMPERATURE AND RIPPLE CURRENT





Expected life criteria: see introduction

CAP (μ F)	Rated Voltage (Vn)	Case Code	Φ x h (mm)	TG δ 100Hz	ESR max 100Hz (mOhm)	ESR typ 100Hz (mOhm)	Z max 10Khz (mOhm)	I ripple 55°C 100Hz (A)	I ripple 85°C 100Hz (A)	CATALOGUE NUMBER	
										Flat bottom	Mounting stud
500000	16	DF	76 x 147	2,00	6					AYX-HR504X016DF1	AYUX-HR504X016DF1
1000000		DJ	76 x 217	2,00	3					AYX-HR105X016DJ1	AYUX-HR105X016DJ1

CAP (μ F)	Rated Voltage (Vn)	Case Code	Φ x h (mm)	TG δ 100Hz	ESR max 100Hz (mOhm)	ESR typ 100Hz (mOhm)	Z max 10Khz (mOhm)	I ripple 55°C 100Hz (A)	I ripple 85°C 100Hz (A)	CATALOGUE NUMBER	
										Flat bottom	Mounting stud
68000	25	BC	51 x 105	0,50	12	9	10	24,3	17,3	AYX-HR683X025BC1	AYUX-HR683X025BC1
100000		CC	63 x 107	0,60	10	7	9	30,2	21,6	AYX-HR104X025CC1	AYUX-HR104X025CC1
150000		DC	76 x 106	0,85	9	7	8	34,6	24,7	AYX-HR154X025DC1	AYUX-HR154X025DC1
220000		DF	76 x 147	1,15	8	6	7	41,2	29,4	AYX-HR224X025DF1	AYUX-HR224X025DF1
800000		EJ	90 x 222	1,15	2	2	7	51,5	29,4	AYX-HR804X025EJ1	AYUX-HR804X025EJ1

CAP (μ F)	Rated Voltage (Vn)	Case Code	Φ x h (mm)	TG δ 100Hz	ESR Max 100Hz (mohm)	ESR typ 100Hz (mOhm)	Z max 10Khz (mOhm)	I ripple 55°C 100Hz (A)	I ripple 85°C 100Hz (A)	CATALOGUE NUMBER	
										Flat bottom	Mounting stud
47000	40	BC	51 x 105	0,32	11	8	8	25,2	18	AYX-HR473X040BC1	AYUX-HR473X040BC1
68000		CC	63 x 107	0,38	9	7	7	31,3	22,4	AYX-HR683X040CC1	AYUX-HR683X040CC1
100000		DC	76 x 106	0,46	7	5	6	38,4	27,4	AYX-HR104X040DC1	AYUX-HR104X040DC1
150000		DF	76 x 147	0,65	7	5	6	45,2	32,3	AYX-HR154X040DF1	AYUX-HR154X040DF1

CAP (μ F)	Rated Voltage (Vn)	Case Code	Φ x h (mm)	TG δ 100Hz	ESR Max 100Hz (mOhm)	ESR typ 100Hz (mOhm)	Z max 10Khz (mOhm)	I ripple 55°C 100Hz (A)	I ripple 85°C 100Hz (A)	CATALOGUE NUMBER	
										Flat bottom	Mounting stud
22000	63	BC	51 x 105	0,24	17	13	12	19,9	14,2	AYX-HR223X063BC1	AYUX-HR223X063BC1
33000		CC	51 x 105	0,28	14	10	11	22,6	16,1	AYX-HR333X063BC1	AYUX-HR333X063BC1
47000		CC	63 x 107	0,30	10	8	8	29,3	20,9	AYX-HR473X063CC1	AYUX-HR473X063CC1
68000		DC	76 x 106	0,36	8	6	7	34,5	25,6	AYX-HR683X063DC1	AYUX-HR683X063DC1
100000		DF	76 x 147	0,40	6	5	5	47,1	33,6	AYX-HR104X063DF1	AYUX-HR104X063DF1

CAP (μ F)	Rated Voltage (Vn)	Case Code	Φ x h (mm)	TG δ 100Hz	ESR	ESR	Z	I ripple	I ripple	CATALOGUE NUMBER	
					Max 100Hz (mOhm)	typ 100Hz (mOhm)	max 10Khz (mOhm)	55°C 100Hz (A)	85°C 100Hz (A)	Flat bottom	Mounting stud
10000		BB	51 x 83	0,12	19	14	17	15,6	9	AYX-HR103X100BB1	AYUX-HR103X100BB1
10000	100	BC	51 x 105	0,10	16	12	9	20,8	14,9	AYX-HR103X100BC1	AYUX-HR103X100BC1
15000		BC	51 x 105	0,11	12	9	8	24	17,3	AYX-HR153X100BC1	AYUX-HR153X100BC1
22000		CC	63 x 107	0,15	11	8	7	29,3	20,2	AYX-HR223X100CC1	AYUX-HR223X100CC1
33000		DC	76 x 106	0,18	9	7	7	35,3	25,2	AYX-HR333X100DC1	AYUX-HR333X100DC1
33000		DF	76 x 147	0,16	8	6	7	42,8	30,5	AYX-HR333X100DF1	AYUX-HR333X100DF1
47000		DF	76 x 147	0,18	6	5	5	48,1	34,4	AYX-HR473X100DF1	AYUX-HR473X100DF1

CAP (μ F)	Rated Voltage (Vn)	Case Code	Φ x h (mm)	TG δ 100Hz	ESR	ESR	Z	I ripple	I ripple	CATALOGUE NUMBER	
					Max 100Hz (mOhm)	typ 100Hz (mOhm)	max 10Khz (mOhm)	55°C 100Hz (A)	85°C 100Hz (A)	Flat bottom	Mounting stud
4700	160	BC	51 x 105	0,10	34	25	21	14,3	10,2	AYX-HR472X160BC1	AYUX-HR472X160BC1
4700		CC	63 x 107	0,09	30	23	20	16,9	12,1	AYX-HR472X160CC1	AYUX-HR472X160CC1
6800		DC	76 x 106	0,10	23	18	16	21,5	15,3	AYX-HR682X160DC1	AYUX-HR682X160DC1
10000		DF	76 x 106	0,11	18	13	13	24,8	17,7	AYX-HR103X160DC1	AYUX-HR103X160DC1
15000		DF	76 x 147	0,12	13	10	11	33,3	23,8	AYX-HR153X160DF1	AYUX-HR153X160DF1
22000		DJ	76 x 217	0,14	10	8	8	45,1	32,2	AYX-HR223X160DJ1	AYUX-HR223X160DJ1
15000		EC	90 x 108	0,15	16	12	11	29,3	20,9	AYX-HR153X160EC1	AYUX-HR153X160EC1
22000		EF	90 x 149	0,15	11	8	8	40,3	28,8	AYX-HR223X160EF1	AYUX-HR223X160EF1

CAP (μ F)	Rated Voltage (Vn)	Case Code	Φ x h (mm)	TG δ 100Hz	ESR	ESR	Z	I ripple	I ripple	CATALOGUE NUMBER	
					Max 100Hz (mOhm)	typ 100Hz (mOhm)	max 10Khz (mOhm)	55°C 100Hz (A)	85°C 100Hz (A)	Flat bottom	Mounting stud
3300	200 (**)	BC	51 x 105	0,10	48	36	30	12,5	8,9	AYX-HR332X200BC1	AYUX-HR332X200BC1
4700		CC	63 x 107	0,10	34	25	21	16,8	12	AYX-HR472X200CC1	AYUX-HR472X200CC1
4700		DC	76 x 106	0,09	30	23	21	19,7	14,1	AYX-HR472X200DC1	AYUX-HR472X200DC1
6800		DC	76 x 106	0,10	23	18	16	22,5	16,1	AYX-HR682X200DC1	AYUX-HR682X200DC1
10000		DF	76 x 147	0,11	18	13	13	29,7	21,2	AYX-HR103X200DF1	AYUX-HR103X200DF1
15000		DF	76 x 147	0,12	13	10	10	34,9	24,9	AYX-HR153X200DF1	AYUX-HR153X200DF1
22000		DF	76 x 147	0,13	9	7	7	40,6	29	AYX-HR223M200DF1	AYUX-HR223M200DF1
22000		DK	76 x 168	0,12	9	7	7	45,1	32,2	AYX-HR223X200DK1	AYUX-HR223X200DK1
33000		DK	76 x 168	0,12	6	4	7	55,3	39,5	AYX-HR333X200DK1	AYUX-HR333X200DK1
15000		EC	90 x 108	0,14	15	11	12	31,8	22,7	AYX-HR153X200EC1	AYUX-HR153X200EC1
22000		EC	90 x 108	0,14	10	8	8	43,7	31,2	AYX-HR223X200EC1	AYUX-HR223X200EC1

(**)=+/-20%

CAP (μ F)	Rated Voltage (Vn)	Case Code	Φ x h (mm)	TG δ 100Hz	ESR	ESR	Z	I ripple	I ripple	CATALOGUE NUMBER	
					Max 100Hz (mOhm)	typ 100Hz (mOhm)	max 10Khz (mOhm)	55°C 100Hz (A)	85°C 100Hz (A)	Flat bottom	Mounting stud
2200	250	BC	51 x 105	0,09	65	49	38	10,8	7,7	AYX-HR222X250BC1	AYUX-HR222X250BC1
3300		CC	63 x 107	0,10	48	36	29	14,1	10,1	AYX-HR332X250CC1	AYUX-HR332X250CC1
4700		DC	76 x 106	0,10	34	25	22	18,7	13,4	AYX-HR472X250DC1	AYUX-HR472X250DC1
6800		DC	76 x 106	0,10	23	18	16	22,5	16,1	AYX-HR682X250DC1	AYUX-HR682X250DC1
10000		DF	76 x 147	0,10	16	12	12	31,2	22,3	AYX-HR103X250DF1	AYUX-HR103X250DF1
15000		DJ	76 x 217	0,12	13	10	10	42,1	30,1	AYX-HR153X250DJ1	AYUX-HR153X250DJ1
22000		DJ	76 x 217	0,12	9	7	10	42,1	30,1	AYX-HR223M250DJ1	AYUX-HR223M250DJ1
10000		EC	90 x 108	0,13	21	16	14	26,9	19,2	AYX-HR103X250EC1	AYUX-HR103X250EC1
15000		EF	90 x 149	0,13	14	10	10	37,4	26,7	AYX-HR153X250EF1	AYUX-HR153X250EF1

(**)=+/-20%

CAP (μ F)	Rated Voltage (Vn)	Case Code	Φ x h (mm)	TG δ 100Hz	ESR	ESR	Z	I ripple	I ripple	CATALOGUE NUMBER	
					Max 100Hz (mOhm)	typ 100Hz (mOhm)	max 10Khz (mOhm)	55°C 100Hz (A)	85°C 100Hz (A)	Flat bottom	Mounting stud
1500	350	BC	51 x 105	0,08	85	64	51	9,4	6,7	AYX-HR152X350BC1	AYUX-HR152X350BC1
2200		CC	63 x 107	0,08	58	43	35	12,9	9,2	AYX-HR222X350CC1	AYUX-HR222X350CC1
3300		DC	76 x 106	0,08	39	29	24	17,5	12,5	AYX-HR332X350DC1	AYUX-HR332X350DC1
4700		DC	76 x 106	0,10	34	25	24	18,7	13,4	AYX-HR472X350DC1	AYUX-HR472X350DC1
4700		DF	76 x 147	0,08	27	20	17	23,9	17,1	AYX-HR472X350DF1	AYUX-HR472X350DF1
6800		DF	76 x 147	0,08	19	14	13	28,8	20,5	AYX-HR682X350DF1	AYUX-HR682X350DF1
6800		DJ	76 x 217	0,08	19	14	11	34,7	24,8	AYX-HR682X350DJ1	AYUX-HR682X350DJ1
10000		DF	76 x 147	0,11	17	13	10	30	21,4	AYX-HR103X350DF1	AYUX-HR103X350DF1
15000		DF	76 x 147	0,12	13	10	10	34,9	24,9	AYX-HR153M350DF1	AYUX-HR153M350DF1
18000		DF	76 x 147	0,12	11	8	9	38,2	37,3	AYX-HR183M350DF1	AYUX-HR183M350DF1
10000	(**)	DJ	76 x 217	0,10	16	12	10	37,7	26,9	AYX-HR103X350DJ1	AYUX-HR103X350DJ1
15000		DJ	76 x 217	0,10	11	8	10	46,1	32,9	AYX-HR153X350DJ1	AYUX-HR153X350DJ1
18000		DF	76 x 147	0,10	9	7	10	46,1	32,8	AYX-HR183M350DF1	AYUX-HR183M350DF1
6800		EC	90 x 108	0,11	26	19	17	24,1	17,2	AYX-HR682X350EC1	AYUX-HR682X350EC1
10000		EF	90 x 149	0,11	18	13	12	33,2	23,7	AYX-HR103X350EF1	AYUX-HR103X350EF1
18000		EF	90 x 149	0,12	11	8	8	46,7	33,6	AYX-HR183M350EF1	AYUX-HR183M350EF1
15000		EJ	90 x 222	0,11	12	9	7	48,2	34,4	AYX-HR153X350EJ1	AYUX-HR153X350EJ1
27000		EJ	90 x 222	0,11	6	5	5	58,4	41,7	AYX-HR273M350EJ1	AYUX-HR273M350EJ1

(**)=+/-20%

CAP (μ F)	Rated Voltage (Vn)	Case Code	Φ x h (mm)	TG δ 100Hz	ESR	ESR	Z	I ripple	I ripple	CATALOGUE NUMBER		
					Max 100Hz (mOhm)	typ 100Hz (mOhm)	max 10KHz (mOhm)	55°C 100Hz (A)	85°C 100Hz (A)	Flat bottom	Mounting stud	
1000	400	BC	51 x 105	0,08	127	96	78	7,7	5,5	AYX-HR102X400BC1	AYUX-HR102X400BC1	
1500		BC	51 x 105	0,08	85	64	50	9,4	6,7	AYX-HR152X400BC1	AYUX-HR152X400BC1	
2200		(**)	BC	51 x 105	0,09	65	49	46	10,2	7,3	AYX-HR222M400BC1	AYUX-HR222M400BC1
2200			CC	63 x 107	0,09	65	49	43	12,1	8,7	AYX-HR222X400CC1	AYUX-HR222X400CC1
2200			DC	76 x 106	0,08	58	43	34	14,3	10,2	AYX-HR222X400DC1	AYUX-HR222X400DC1
3300		(**)	CC	63 x 107	0,09	43	33	29	14,1	10,1	AYX-HR332M400CC1	AYUX-HR332M400CC1
3300			DC	76 x 106	0,09	43	33	27	16,5	11,8	AYX-HR332X400DC1	AYUX-HR332X400DC1
3300			DF	76 x 147	0,09	43	33	27	18,9	13,5	AYX-HR332X400DF1	AYUX-HR332X400DF1
4700		(**)	DC	76 x 106	0,10	34	25	21	17,7	12,7	AYX-HR472M400DC1	AYUX-HR472M400DC1
4700			DF	76 x 147	0,09	30	23	18	22,5	16,1	AYX-HR472X400DF1	AYUX-HR472X400DF1
6800		(**)	DF	76 x 147	0,07	16	12	16	24,4	17,4	AYX-HR682M400DF1	AYUX-HR682M400DF1
8200		(**)	DF	76 x 147	0,08	16	12	16	26,3	18,8	AYX-HR822M400DF1	AYUX-HR822M400DF1
6800			DJ	76 x 217	0,08	19	14	12	32,7	23,4	AYX-HR682X400DJ1	AYUX-HR682X400DJ1
10000			DJ	76 x 217	0,11	18	13	11	35,9	25,6	AYX-HR103X400DJ1	AYUX-HR103X400DJ1
4700			EN	90 x 65	0,11	37	28	25	20,1	14,3	AYX-HR472X400EN1	AYUX-HR472X400EN1
4700			EC	90 x 108	0,11	37	28	23	30,1	21,5	AYX-HR472X400EC1	AYUX-HR472X400EC1
8200			EF	90 x 149	0,11	21	16	14	33,2	23,7	AYX-HR822X400EF1	AYUX-HR822X400EF1
10000			EF	90 x 149	0,11	18	13	14	46,1	33	AYX-HR103X400EF1	AYUX-HR103X400EF1
15000			EJ	90 x 222	0,08	8	6	12	49,8	36	AYX-HR153X400EJ1	AYUX-HR153X400EJ1

(**)=+/-20%

CAP (μ F)	Rated Voltage (Vn)	Case Code	Φ x h (mm)	TG δ 100Hz	ESR	ESR	Z	I ripple	I ripple	CATALOGUE NUMBER		
					Max 100Hz (mOhm)	typ 100Hz (mOhm)	max 10KHz (mOhm)	55°C 100Hz (A)	85°C 100Hz (A)	Flat bottom	Mounting stud	
1000	420	BC	51 x 105	0,08	127	96	78	7,7	5,5	AYX-HR102X420BC1	AYUX-HR102X420BC1	
1500		BC	51 x 105	0,08	85	64	50	9,4	6,7	AYX-HR152X420BC1	AYUX-HR152X420BC1	
1500			CC	63 x 107	0,08	85	64	50	10,6	7,6	AYX-HR152X420CC1	AYUX-HR152X420CC1
2200			CC	63 x 107	0,10	72	54	43	11,5	8,2	AYX-HR222X420CC1	AYUX-HR222X420CC1
2200			DC	76 x 106	0,08	58	43	34	14,3	10,2	AYX-HR222X420DC1	AYUX-HR222X420DC1
3300			DC	76 x 106	0,09	43	33	28	16,5	11,8	AYX-HR332X420DC1	AYUX-HR332X420DC1
3300			DF	76 x 147	0,09	43	33	27	18,9	13,5	AYX-HR332X420DF1	AYUX-HR332X420DF1
4700			DF	76 x 147	0,09	30	23	18	22,5	16,1	AYX-HR472X420DF1	AYUX-HR472X420DF1
6800		(**)	DF	76 x 147	0,07	16	12	12	24,4	17,5	AYX-HR682M420DF1	AYUX-HR682M420DF1
6800			DJ	76 x 217	0,09	21	16	12	32,7	23,4	AYX-HR682X420DJ1	AYUX-HR682X420DJ1
10000			DJ	76 x 217	0,09	14	11	11	39,4	28,1	AYX-HR103X420DJ1	AYUX-HR103X420DJ1
6800			EF	90 x 149	0,11	26	19	11	27,4	19,6	AYX-HR682X420EF1	AYUX-HR682X420EF1
15000		(**)	EJ	90 x 222	0,11	12	9	11	46,5	35,1	AYX-HR153M420EJ1	AYUX-HR153M420EJ1

(**)=+/-20%

CAP (μF)	Rated Voltage (Vn)	Case Code	$\Phi \times h$ (mm)	TG δ 100Hz	ESR	ESR	Z	I ripple	I ripple	CATALOGUE NUMBER		
					Max 100Hz (mOhm)	typ 100Hz (mOhm)	max 10KHz (mOhm)	55°C 100Hz (A)	85°C 100Hz (A)	Flat bottom	Mounting stud	
1000	450	BC	51 x 105	0,10	159	119	88	6,9	4,9	AYX-HR102X450BC1	AYUX-HR102X450BC1	
1500		(**)	BC	51 x 105	0,10	106	80	88	8	5,7	AYX-HR152M450BC1	AYUX-HR152M450BC1
1500		CC	63 x 107	0,10	106	80	60	9,5	6,8	AYX-HR152X450CC1	AYUX-HR152X450CC1	
2200		CC	63 x 107	0,12	87	65	49	10,5	7,5	AYX-HR222X450CC1	AYUX-HR222X450CC1	
2200		DC	76 x 106	0,10	72	54	43	12,8	9,1	AYX-HR222X450DC1	AYUX-HR222X450DC1	
3300		DF	76 x 106	0,12	58	43	36	14,3	10,2	AYX-HR332X450DF1	AYUX-HR332X450DF1	
3300		DF	76 x 147	0,10	48	36	28	17,9	12,8	AYX-HR332X450DF1	AYUX-HR332X450DF1	
4700		DF	76 x 147	0,12	41	30	24	19,5	13,9	AYX-HR472X450DF1	AYUX-HR472X450DF1	
6800		(**)	DF	76 X 143	0,12	28	21	20	20,2	14,4	AYX-HR682M450DF1	AYUX-HR682M450DF1
6800		DJ	76 X 143	0,12	28	21	17	28,3	20,2	AYX-HR682X450DJ1	AYUX-HR682X450DJ1	
10000		DJ	76 x 217	0,12	19	14	20	32,5	22,8	AYX-HR103X450DJ1	AYUX-HR103X450DJ1	
4700		EC	90 x 108	0,12	41	30	25	21,8	15,6	AYX-HR472X450EC1	AYUX-HR472X450EC1	
6800		EF	90 x 149	0,12	28	21	17	26,2	18,7	AYX-HR682X450EF1	AYUX-HR682X450EF1	
10000		EJ	90 x 222	0,12	19	14	12	37,7	26,9	AYX-HR103X450EJ1	AYUX-HR103X450EJ1	
12000		(**)	EJ	90 x 222	0,12	16	12	12	40,5	26,9	AYX-HR123M450EJ1	AYUX-HR123M450EJ1

CAP (μF)	Rated Voltage (Vn)	Case Code	$\Phi \times h$ (mm)	TG δ 100Hz	ESR	ESR	Z	I ripple	I ripple	CATALOGUE NUMBER	
					max 100Hz (mOhm)	typ 100Hz (mOhm)	max 10KHz (mOhm)	55°C 100Hz (A)	85°C 100Hz (A)	Flat bottom	Mounting stud
1000	500	BC	51 x 105	0,13	207	155	124	6	4,3	AYX-HR102X500BC1	AYUX-HR102X500BC1
1500		CC	63 x 107	0,15	159	119	95	7,8	5,5	AYX-HR152X500CC1	AYUX-HR152X500CC1
2200		DC	76 x 106	0,18	130	98	78	9,5	6,8	AYX-HR222X500DC1	AYUX-HR222X500DC1
2200		DF	76 x 147	0,15	109	81	65	11,9	8,5	AYX-HR222X500DF1	AYUX-HR222X500DF1
3300		DF	76 x 147	0,11	53	40	52	13,4	9,5	AYX-HR332X500DF1	AYUX-HR332X500DF1